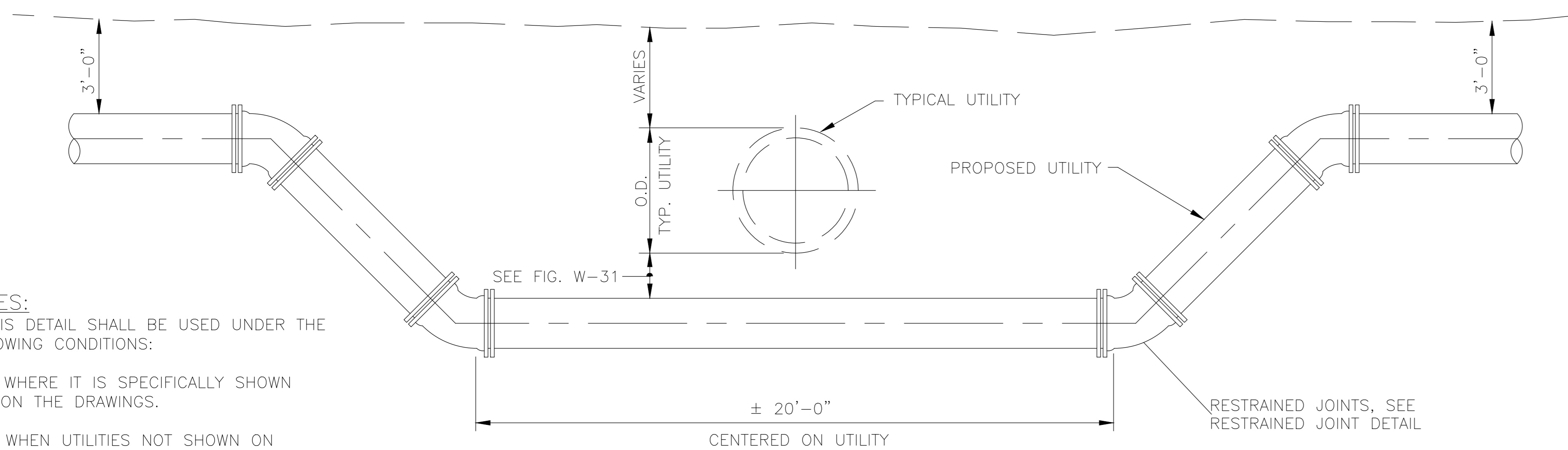


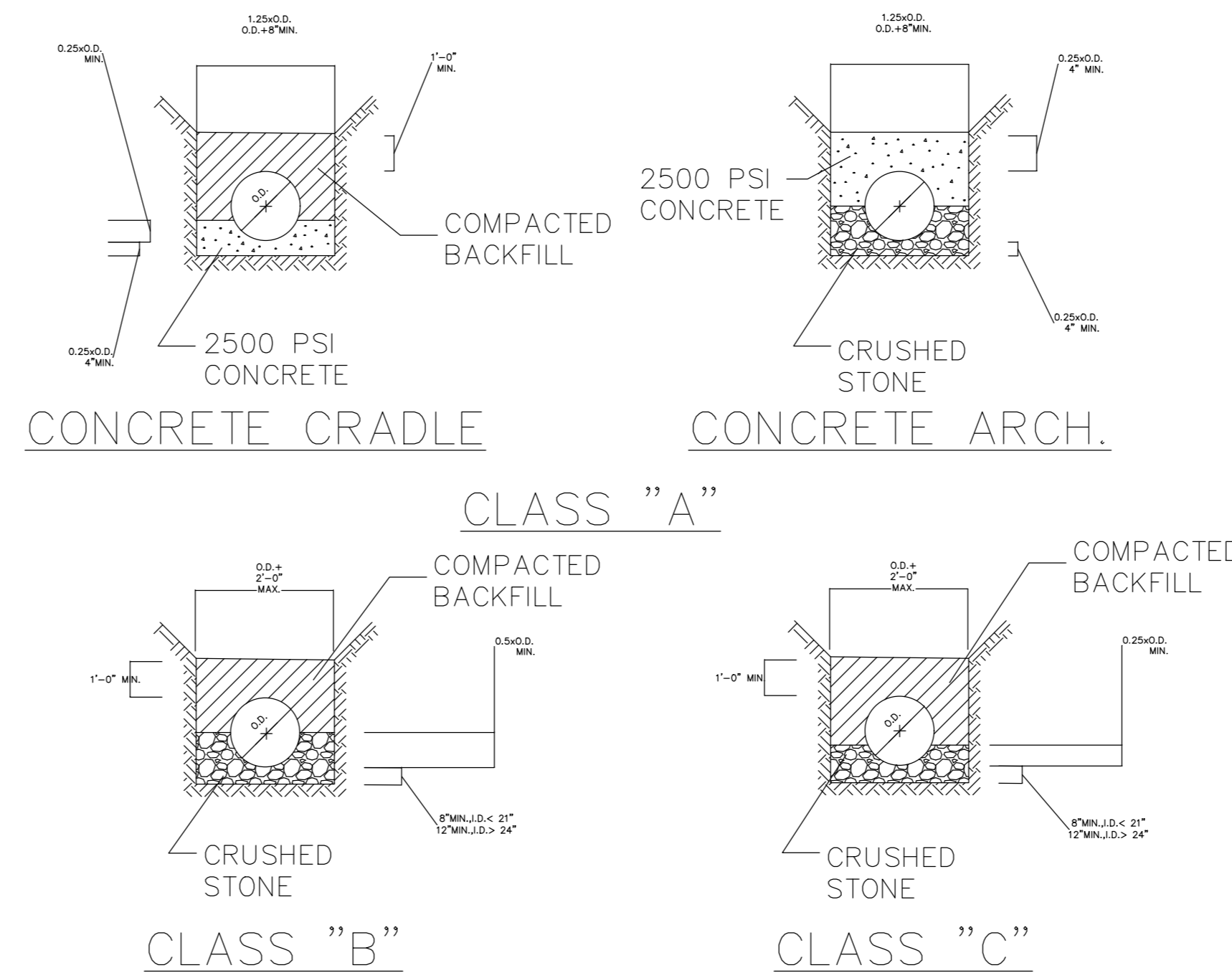
NOTES:  
1. THIS DETAIL SHALL BE USED TO AVOID EXISTING UTILITIES THAT ARE SHOWN ON THE DRAWINGS.  
2. DEFLECTION OF JOINTS SHALL REMAIN WITHIN MANUFACTURER'S RECOMMENDATIONS.

**1** TYPICAL CONFLICT RESOLUTION BY DEFLECTION  
C-263 SCALE: N.T.S.



NOTES:  
1. THIS DETAIL SHALL BE USED UNDER THE FOLLOWING CONDITIONS:  
A. WHERE IT IS SPECIFICALLY SHOWN ON THE DRAWINGS.  
B. WHEN UTILITIES NOT SHOWN ON THE PLAN, ARE ENCOUNTERED.

**2** TYPICAL CONFLICT RESOLUTION BY FITTINGS  
C-263 SCALE: N.T.S.



**3** PIPE BEDDING AND HAUNCHING DETAILS  
C-263 SCALE: N.T.S.

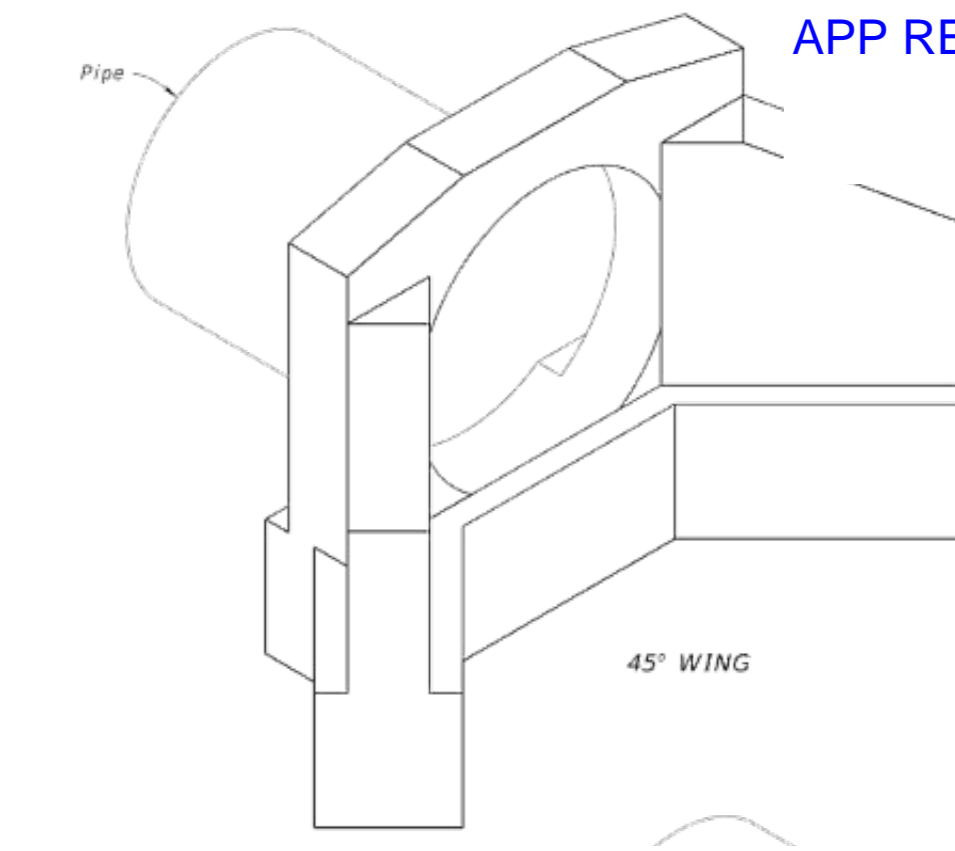
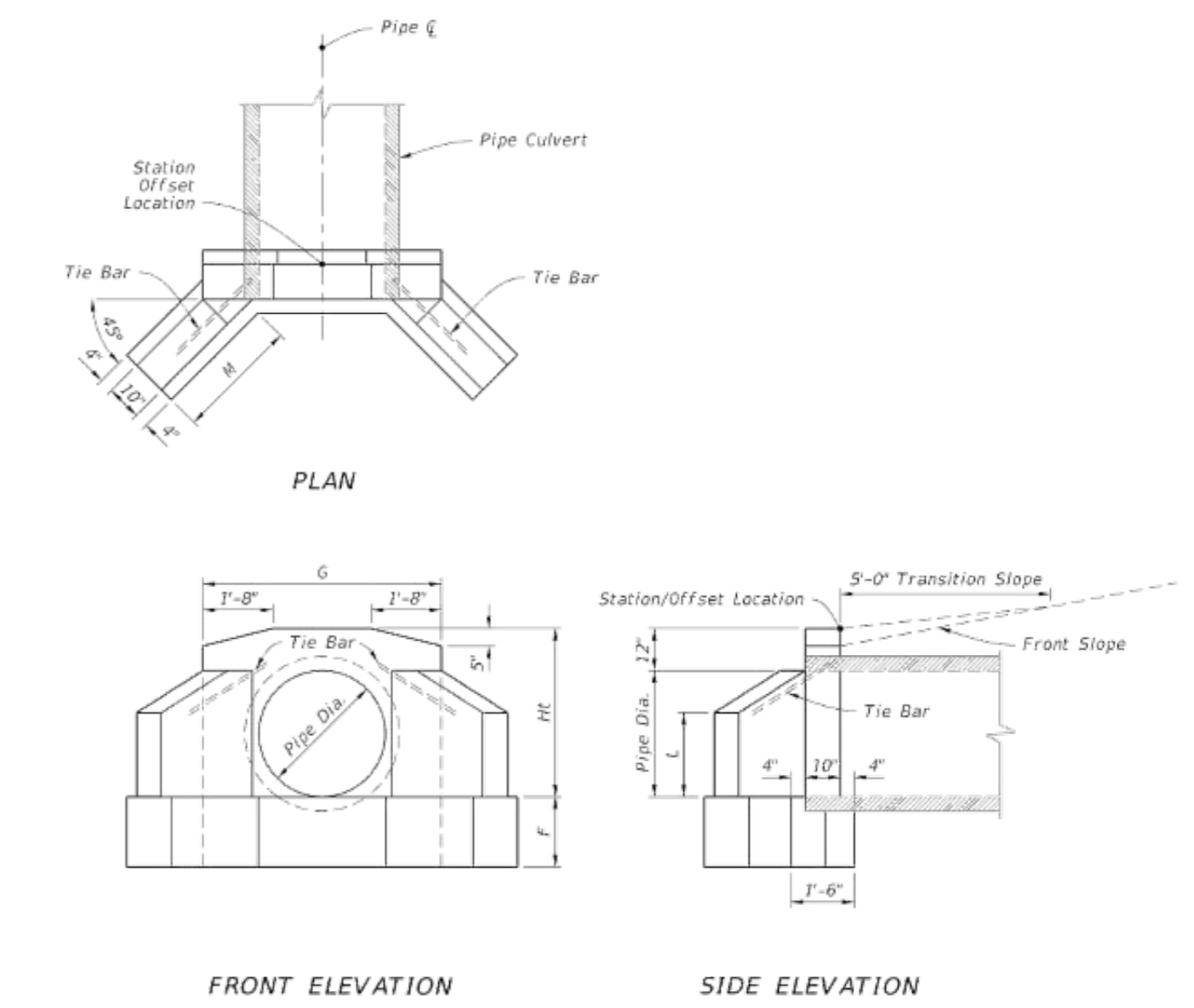


TABLE OF CONTENTS:	
Sheet	Description
7	General Notes and Contents
2	CrType and 45° Endwalls

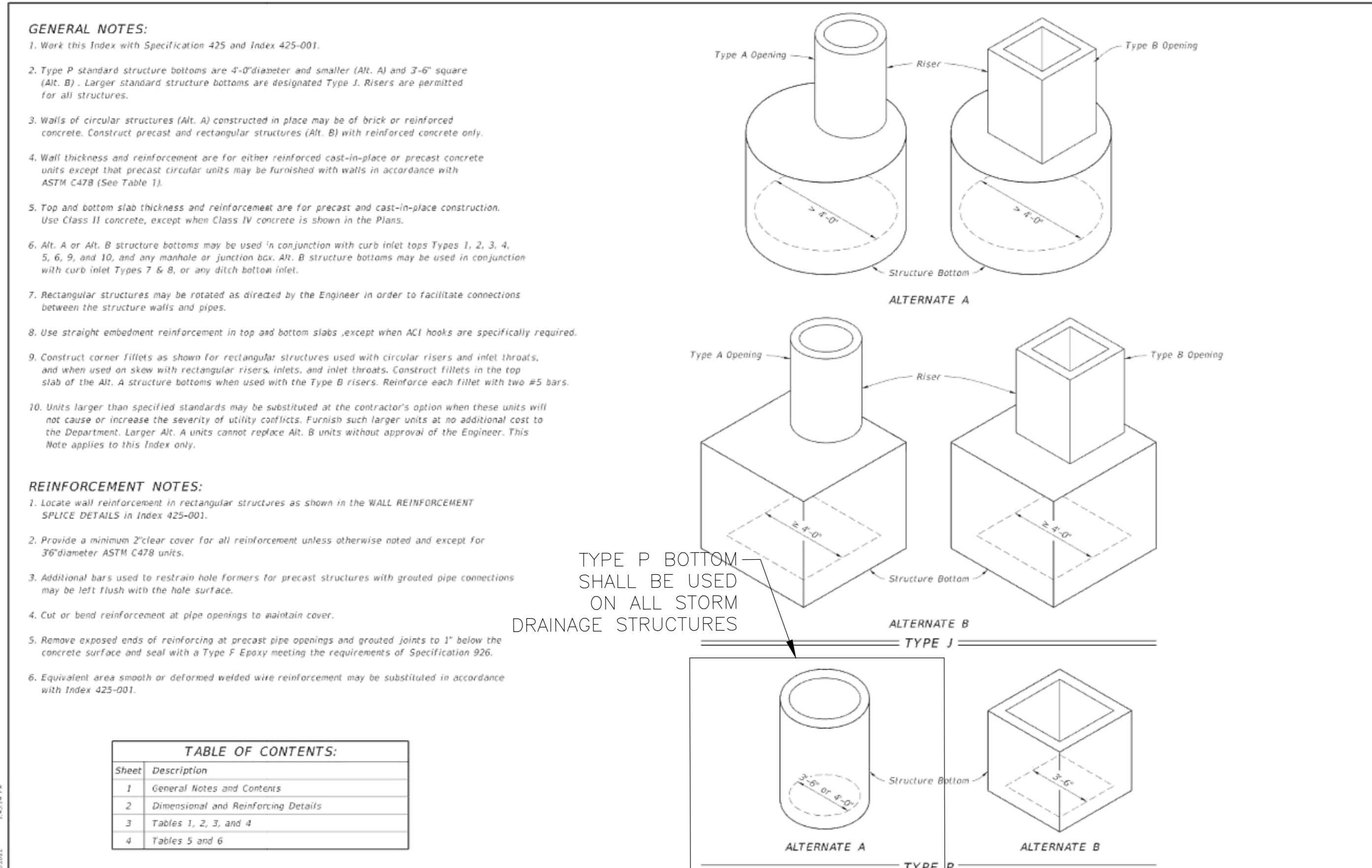
GENERAL NOTES  
1. USE CLASS II CONCRETE  
2. CHAMFER ALL EXPOSED EDGES AND CORNERS 3/4" UNLESS OTHERWISE SHOWN  
3. QUANTITIES ARE FOR ESTIMATING PURPOSES ONLY.



DIMENSIONS AND ESTIMATED QUANTITIES PIPE CULVERT ENDWALLS WITH 45° WINGS		QUANTITIES IN ONE ENDWALL							
Pipe Dia. (ft)	Area (sq ft)	Wall		Footings		Concrete, Class II		Steel Tie Bars	
		H	L	H	F	CCP	CIP		
12"	1.2	2'-2"	3'-2"	1'-0"	1'-3"	0.36	0.39	0.39	none
18"	2.8	2'-0"	3'-10"	1'-0"	1'-3"	0.74	0.77	0.77	none
24"	5.1	2'-0"	4'-4"	1'-0"	1'-0"	1.01	1.06	1.06	2 - #6 Bars x 2'-0"
30"	6.9	3'-0"	4'-10"	1'-0"	2'-0"	1.32	1.40	1.39	2 - #6 Bars x 2'-0"
36"	7.1	4'-0"	5'-2"	2'-0"	1'-0"	1.72	1.83	1.82	2 - #6 Bars x 2'-0"
42"	9.6	4'-0"	5'-10"	2'-0"	3'-0"	2.34	2.47	2.46	2 - #6 Bars x 2'-0"
48"	12.6	5'-0"	6'-4"	2'-0"	4'-0"	2.74	2.90	2.88	2 - #6 Bars x 2'-0"

**4** 45' WING ENDWALL DETAIL  
C-263 SCALE: N.T.S.

TYPE J BOTTOM AND TYPE A OPENING SHALL BE USED ON ALL STORM DRAINAGE STRUCTURES

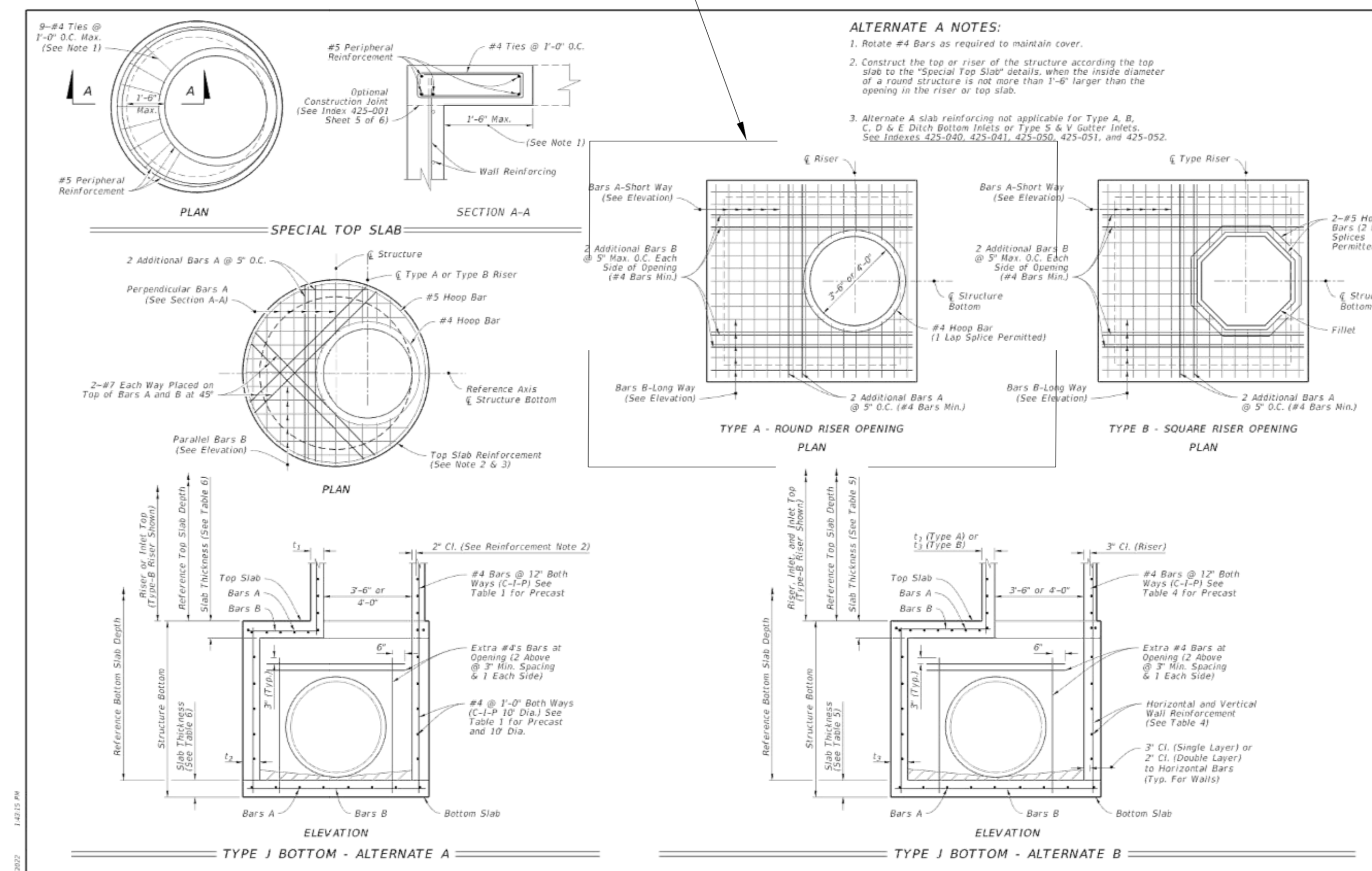


GENERAL NOTES:  
1. Work this Index with Specification 425 and Index 425-001.  
2. Type P standard structure bottoms are 4'-0" diameter and smaller (A, B) and 3'-0" square (A, B). Larger standard structure bottoms are designated Type J. Risers are permitted for all structures.  
3. Walls of circular structures (A, B) constructed in place may be of brick or reinforced concrete. Construct precast and rectangular structures (A, B) with reinforced concrete only.  
4. Wall thickness and reinforcement are for either reinforced cast-in-place or precast concrete units except that precast circular units may be furnished with walls in accordance with ASTM C493 (see Table 1).  
5. Top and bottom slab thickness and reinforcement are for precast and cast-in-place construction. Use Class II concrete, except when Class IV concrete is shown in the Plans.  
6. All A or AB structure bottoms may be used in conjunction with curb inlet tops Types 1, 2, 3, 4, 5, 6, 8, and 9, and any manhole or junction box. All B structure bottoms may be used in conjunction with curb inlet Types 7, 6, B, or any ditch bottom inlet.  
7. Rectangular structures may be rotated as directed by the Engineer in order to facilitate connections between the structure walls and pipes.  
8. Use straight embedment reinforcement in top and bottom slabs except when ACT hooks are specifically required.  
9. Construct corner fillers as shown for rectangular structures used with circular risers and inlet throats, and when used on slabs with rectangular risers, inlets, and inlet throats. Construct fillers in the top slab of the AB structure bottoms when used with the Type B risers. Reinforce each filler with two #3 bars.  
10. Storm larger than specified standards may be substituted at the contractor's option when these units will not cause or increase the amount of water surface. Furnish such larger units as an additional cost to the Department. Larger All A units cannot replace All B units without approval of the Engineer. This Note applies to this Index only.

REINFORCEMENT NOTES:  
1. Locate wall reinforcement in rectangular structures as shown in the WALL REINFORCEMENT SOURCE DETAILS in Index 425-001.  
2. Provide a minimum 2' clear cover for all reinforcement unless otherwise noted and except for 3/8" diameter ASTM C493 units.  
3. Additional bars used to restrain hole formers for precast structures with gasket pipe connections may be set flush with the hole surface.  
4. Cut or bend reinforcement at pipe openings to maintain cover.  
5. Remove excess ends of reinforcing at precast pipe openings and ground joints to 7" below the concrete surface and seal with a Type F Epoxy meeting the requirements of Specification 806.  
6. Equivalent area smooth or deformed welded wire reinforcement may be substituted in accordance with Index 425-001.

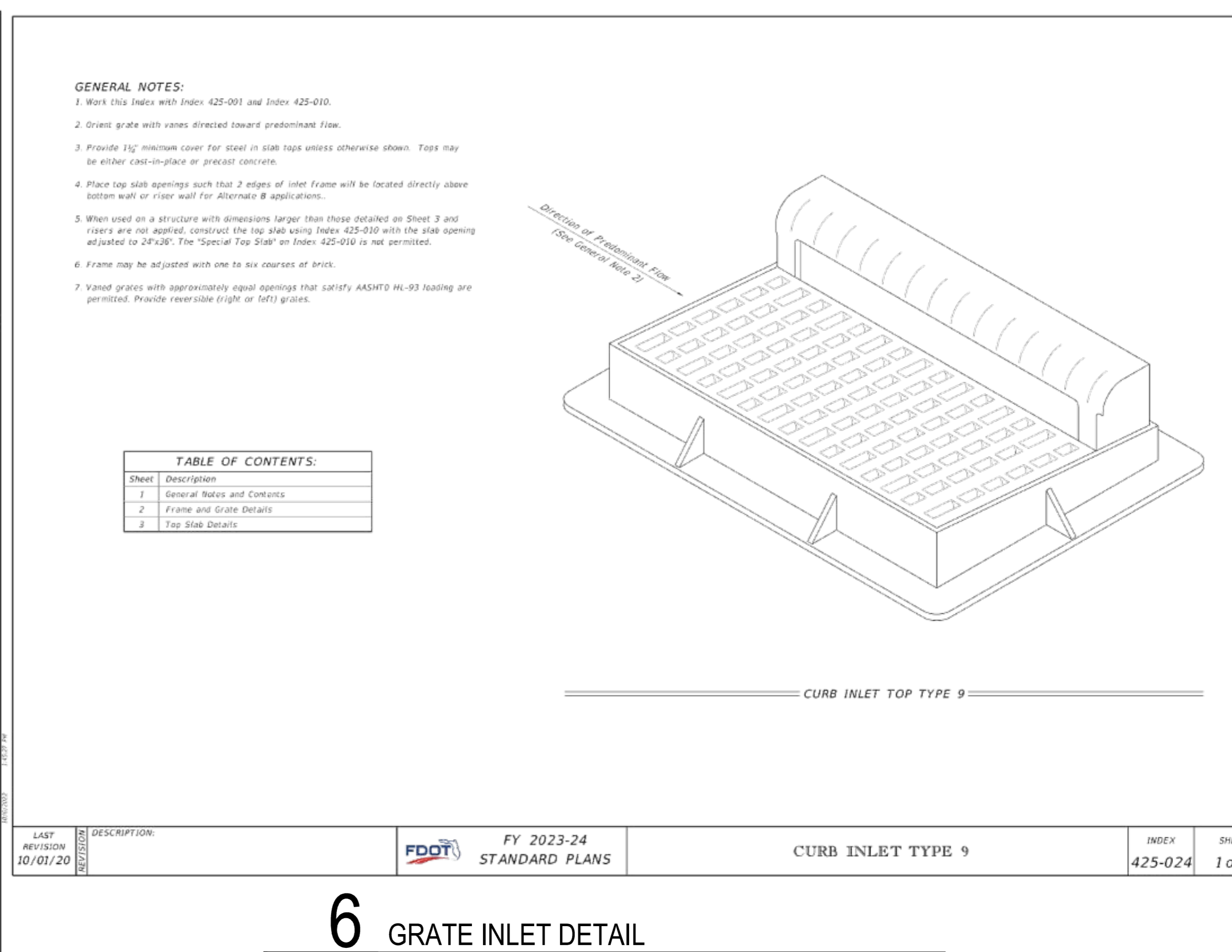
TABLE OF CONTENTS:	
Sheet	Description
7	General Notes and Contents
2	Structural and Reinforcing Details
2	Tables 1, 2, 3, 4, and 5
2	Tables 3 and 6

STRUCTURE BOTTOMS TYPE J AND P  
INDEX 425-010 SHEET 1 of 4  
FY 2023-24 STANDARD PLANS



ALTERNATE A NOTES:  
1. Risers #4 Bars as required to maintain cover.  
2. Construct the top or riser of the structure according to the top slab to the "Special Top Slab" details, when the inside diameter of a round structure is not more than 1'-0" larger than the opening in the riser or top slab.  
3. Alternate A slab reinforcing not applicable for Type A, B, C, D or E Ditch Bottom Details or Type A, B, C, D, E, F, G, H, I, J, K, L, M, N, O, P, Q, R, S, T, U, V, W, X, Y, Z, AA, AB, AC, AD, AE, AF, AG, AH, AI, AJ, AK, AL, AM, AN, AO, AP, AQ, AR, AS, AT, AU, AV, AW, AX, AY, AZ, BA, BB, BC, BD, BE, BF, BG, BH, BI, BJ, BK, BL, BM, BN, BO, BP, BQ, BR, BS, BT, BU, BV, BW, BX, BY, BZ, CA, CB, CC, CD, CE, CF, CG, CH, CI, CJ, CK, CL, CM, CN, CO, CP, CQ, CR, CS, CT, CU, CV, CW, CX, CY, CZ, DA, DB, DC, DD, DE, DF, DG, DH, DI, DJ, DK, DL, DM, DN, DO, DP, DQ, DR, DS, DT, DU, DV, DW, DX, DY, DZ, EA, EB, EC, ED, EE, EF, EG, EH, EI, EJ, EK, EL, EM, EN, EO, EP, EQ, ER, ES, ET, EU, EV, EW, EX, EY, EZ, FA, FB, FC, FD, FE, FF, FG, FH, FI, FJ, FK, FL, FM, FN, FO, FP, FQ, FR, FS, FT, FU, FV, FW, FX, FY, FZ, GA, GB, GC, GD, GE, GF, GG, GH, GI, GJ, GK, GL, GM, GN, GO, GP, GQ, GR, GS, GT, GU, GV, GW, GX, GY, GZ, HA, HB, HC, HD, HE, HF, HG, HH, HI, HJ, HK, HL, HM, HN, HO, HP, HQ, HR, HS, HT, HU, HV, HW, HX, HY, HZ, IA, IB, IC, ID, IE, IF, IG, IH, II, IJ, IK, IL, IM, IN, IO, IP, IQ, IR, IS, IT, IU, IV, IW, IX, IY, IZ, JA, JB, JC, JD, JE, JF, JG, JH, JI, JJ, JK, JL, JM, JN, JO, JP, JQ, JR, JS, JT, JU, JV, JW, JX, JY, JZ, KA, KB, KC, KD, KE, KF, KG, KH, KI, KJ, KK, KL, KM, KN, KO, KP, KQ, KR, KS, KT, KU, KV, KW, KX, KY, KZ, LA, LB, LC, LD, LE, LF, LG, LH, LI, LJ, LK, LL, LM, LN, LO, LP, LQ, LR, LS, LT, LU, LV, LW, LX, LY, LZ, MA, MB, MC, MD, ME, MF, MG, MH, MI, MJ, MK, ML, MM, MN, MO, MP, MQ, MR, MS, MT, MU, MV, MW, MX, MY, MZ, NA, NB, NC, ND, NE, NF, NG, NH, NI, NJ, NK, NL, NM, NN, NO, NP, NQ, NR, NS, NT, NU, NV, NW, NX, NY, NZ, OA, OB, OC, OD, OE, OF, OG, OH, OI, OJ, OK, OL, OM, ON, OO, OP, OQ, OR, OS, OT, OU, OV, OW, OX, OY, OZ, PA, PB, PC, PD, PE, PF, PG, PH, PI, PJ, PK, PL, PM, PN, PO, PP, PQ, PR, PS, PT, PU, PV, PW, PX, PY, PZ, QA, QB, QC, QD, QE, QF, QG, QH, QI, QJ, QK, QL, QM, QN, QO, QP, QQ, QR, QS, QT, QU, QV, QW, QX, QY, QZ, RA, RB, RC, RD, RE, RF, RG, RH, RI, RJ, RK, RL, RM, RN, RO, RP, RQ, RR, RS, RT, RU, RV, RW, RX, RY, RZ, SA, SB, SC, SD, SE, SF, SG, SH, SI, SJ, SK, SL, SM, SN, SO, SP, SQ, SR, SS, ST, SU, SV, SW, SX, SY, SZ, TA, TB, TC, TD, TE, TF, TG, TH, TI, TJ, TK, TL, TM, TN, TO, TP, TQ, TR, TS, TT, TU, TV, TW, TX, TY, TZ, UA, UB, UC, UD, UE, UF, UG, UH, UI, UJ, UK, UL, UM, UN, UO, UP, UQ, UR, US, UT, UY, UZ, VA, VB, VC, VD, VE, VF, VG, VH, VI, VJ, VK, VL, VM, VN, VO, VP, VQ, VR, VS, VT, VU, VV, VW, VX, VY, VZ, WA, WB, WC, WD, WE, WF, WG, WH, WI, WJ, WK, WL, WM, WN, WO, WP, WQ, WR, WS, WT, WU, WV, WW, WX, WY, WZ, XA, XB, XC, XD, XE, XF, XG, XH, XI, XJ, XK, XL, XM, XN, XO, XP, XQ, XR, XS, XT, XU, XV, XW, XX, XY, XZ, YA, YB, YC, YD, YE, YF, YG, YH, YI, YJ, YK, YL, YM, YN, YO, YP, YQ, YR, YS, YT, YU, YV, YW, YX, YY, YZ, ZA, ZB, ZC, ZD, ZE, ZF, ZG, ZH, ZI, ZJ, ZK, ZL, ZM, ZN, ZO, ZP, ZQ, ZR, ZS, ZT, ZU, ZV, ZW, ZX, ZY, ZZ.

STRUCTURE BOTTOMS TYPE J AND P  
INDEX 425-010 SHEET 2 of 4  
FY 2023-24 STANDARD PLANS



GENERAL NOTES:  
1. Work this Index with Index 425-001 and Index 425-010.  
2. Grate with vane street sweepers preferred.  
3. Provide 1/2" minimum cover for steel in curb tops unless otherwise shown. Posts may be either cast-in-place or precast concrete.  
4. Place top slab openings such that 2 steps of inlet frame will be located directly above bottom wall or riser and/or alternate B applications.  
5. When used on a structure with dimensions larger than those detailed on Sheet 3 and risers are not applied, construct the top slab using Index 425-010 with the slab opening detailed as 24"OC. The Special Top Slab or Index 425-010 is not permitted.  
6. Frame may be adjusted with one to two courses of brick.  
7. Vane grates with approximately equal openings that satisfy ASTM M-93 loading are permitted. Provide reversible (right or left) grates.

TABLE OF CONTENTS:	
Sheet	Description
7	General Notes and Contents
2	Frame and Grate Details
1	Top Slab Details

CURB INLET TOP TYPE 9  
INDEX 425-024 SHEET 1 of 3  
FY 2023-24 STANDARD PLANS

**5** STORM DRAINAGE STRUCTURE DETAILS  
C-263 SCALE: N.T.S.

**6** GRATE INLET DETAIL  
C-263 SCALE: N.T.S.

C:\Users\WRA\OneDrive - Jacobs\Desktop\Projects\Gumbo\PEFMIT\UPDATE\DATE\260-C264.dwg

9/15/2025 12:57 PM

REVISONS		Drawn By:
NO.	DATE	DESCRIPTION
1.0	2025-06-20	TECHNICAL SITE PLAN APPLICATION
2.0	2025-09-15	TECHNICAL SITE PLAN - 2ND SUBMISSION

Approved By: MG  
Design Team: Civil