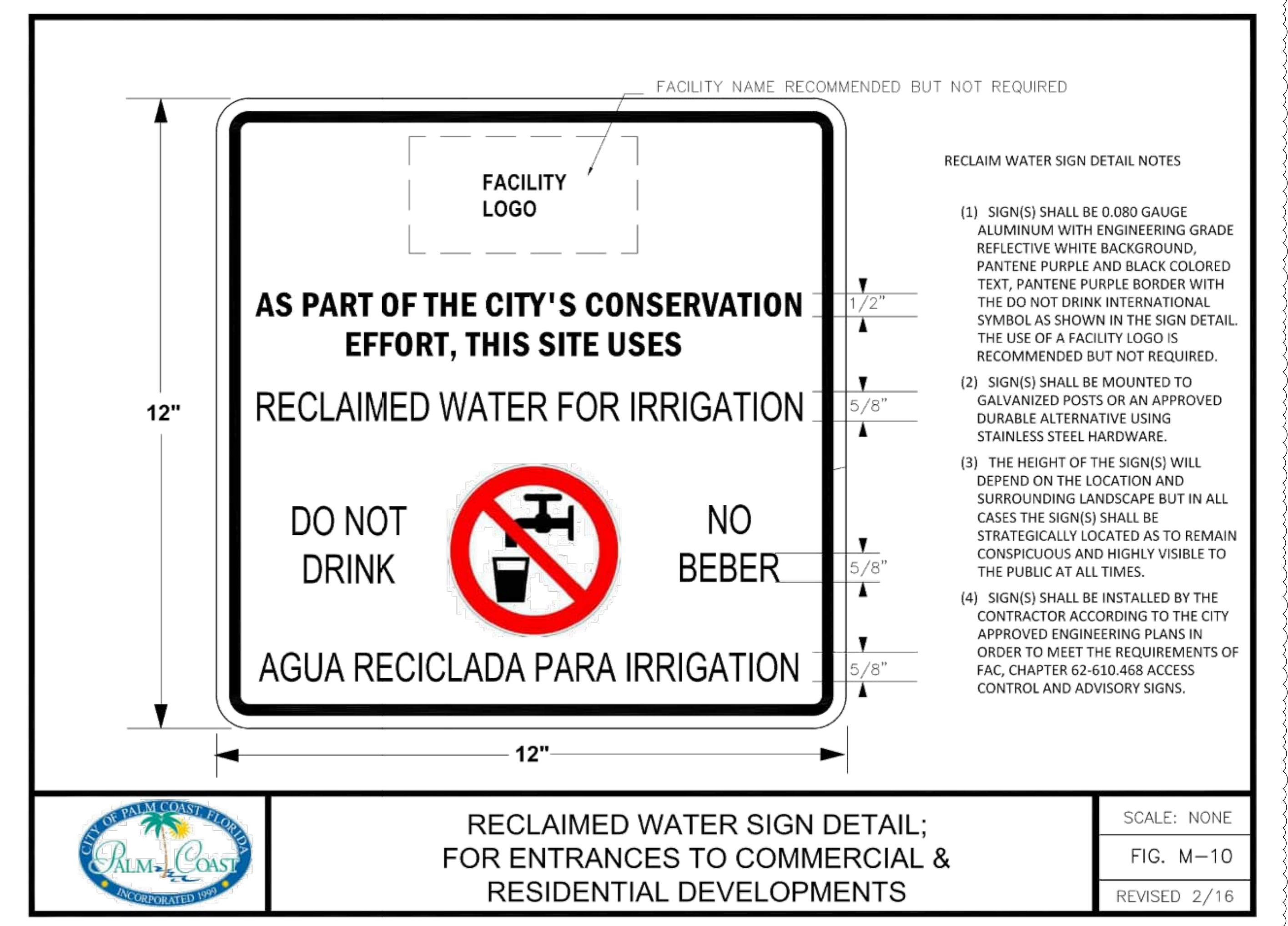


- NOTE:
- FENCE TO BE IMPASSE II - 3 RAIL AS MANUFACTURED BY AMERISTAR OR EQUAL
 - THIRD RAIL OPTIONAL (SOME HEIGHTS NOTED REQUIRE THE THIRD RAIL)
 - 3" [76.2MM] x 12 GA. I-BEAM RECOMMENDED FOR 8' [2438.4MM] HEIGHT.
 - CITY OF PALM COAST MAXIMUM FENCE HEIGHT IS 6 FEET HIGH. A VARIANCE WILL BE REQUIRED WITH THE CITY OF PALM COAST FOR AN 8-FOOT HIGH SECURITY FENCE.

1 HIGH-SECURITY, ANTI-CLIMB IRON FENCE (IMPASSE II GAUNLET)
C-264 SCALE: N.T.S.



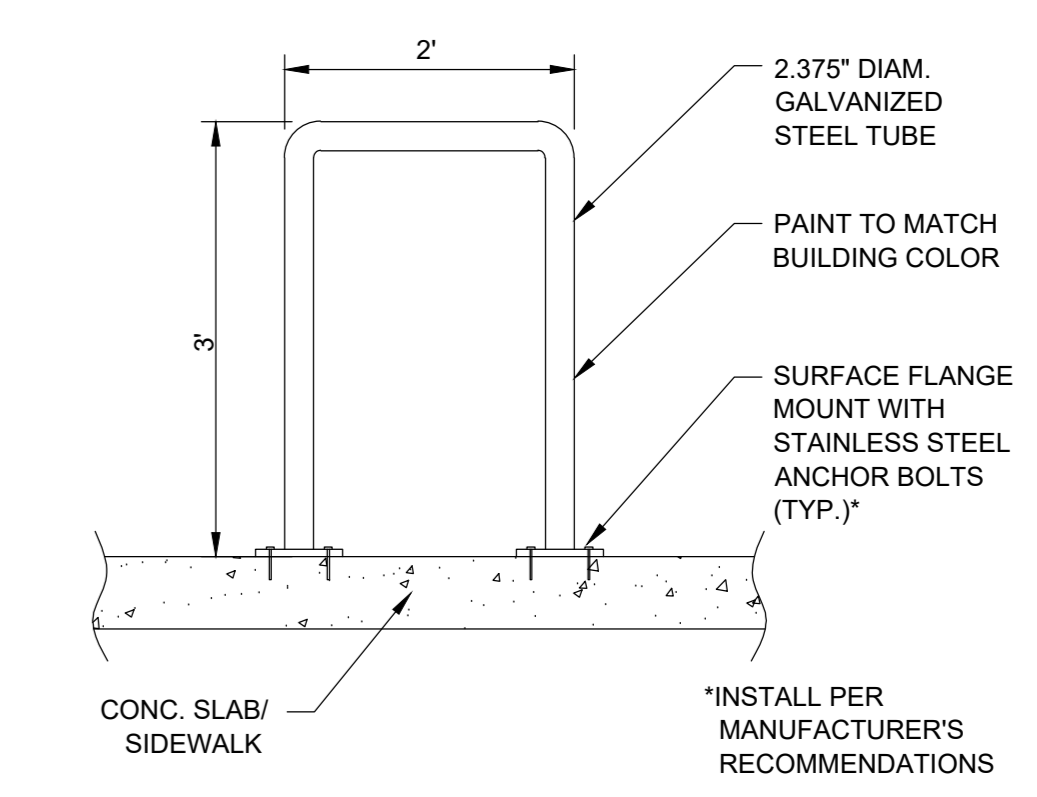
- RECLAIM WATER SIGN DETAIL NOTES
- SIGN(S) SHALL BE 0.080 GAUGE ALUMINUM WITH ENGINEERING GRADE REFLECTIVE WHITE BACKGROUND. PANTENE PURPLE AND BLACK COLORED TEXT, PANTENE PURPLE BORDER WITH THE DO NOT DRINK INTERNATIONAL SYMBOL AS SHOWN IN THE SIGN DETAIL. THE USE OF A FACILITY LOGO IS RECOMMENDED BUT NOT REQUIRED.
 - SIGN(S) SHALL BE MOUNTED TO GALVANIZED POSTS OR AN APPROVED DURABLE ALTERNATIVE USING STAINLESS STEEL HARDWARE.
 - THE HEIGHT OF THE SIGN(S) WILL DEPEND ON THE LOCATION AND SURROUNDING LANDSCAPE BUT IN ALL CASES THE SIGN(S) SHALL BE STRATEGICALLY LOCATED AS TO REMAIN CONSPICUOUS AND HIGHLY VISIBLE TO THE PUBLIC AT ALL TIMES.
 - SIGN(S) SHALL BE INSTALLED BY THE CONTRACTOR ACCORDING TO THE CITY APPROVED ENGINEERING PLANS IN ORDER TO MEET THE REQUIREMENTS OF FAC, CHAPTER 62-610.468 ACCESS CONTROL AND ADVISORY SIGNS.



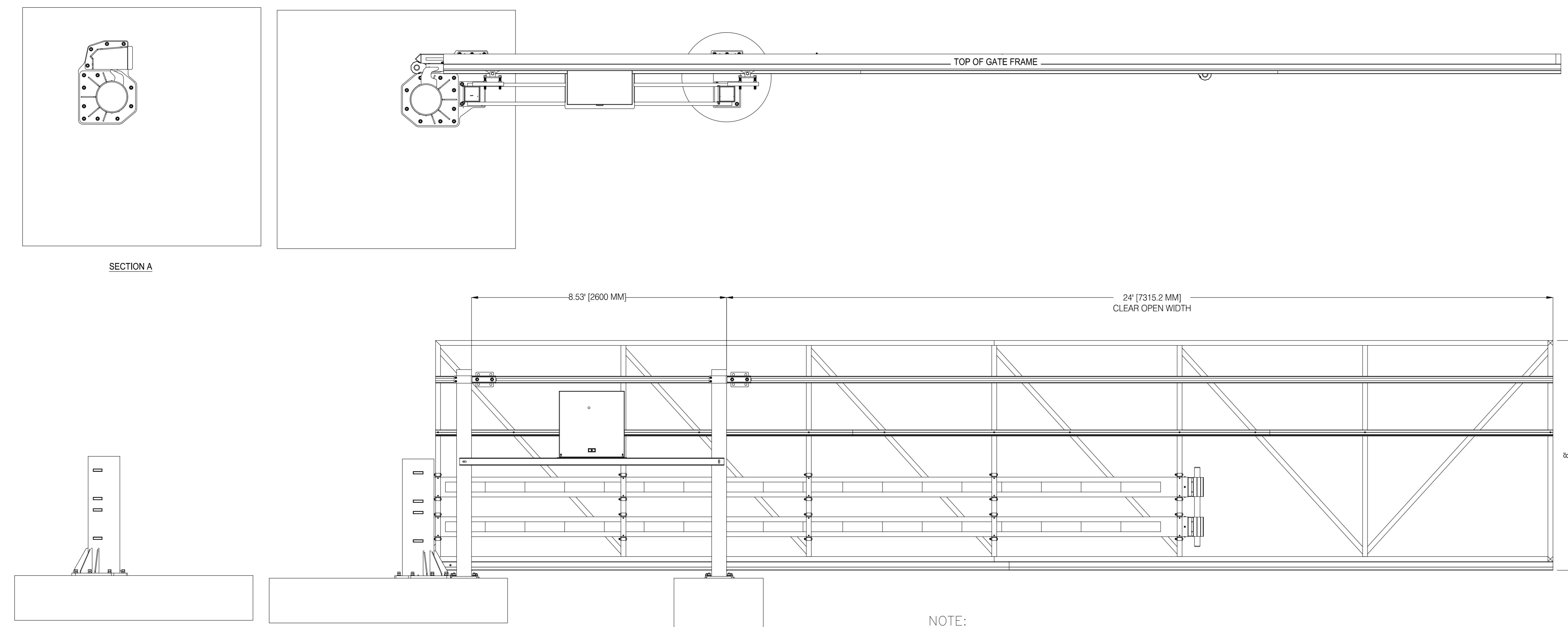
RECLAIMED WATER SIGN DETAIL;
FOR ENTRANCES TO COMMERCIAL &
RESIDENTIAL DEVELOPMENTS

SCALE: NONE
FIG. M-10
REVISED 2/16

4 RECLAIMED WATER SIGN
C-264 SCALE: N.T.S.



3 BIKE RACK
C-264 SCALE: N.T.S.

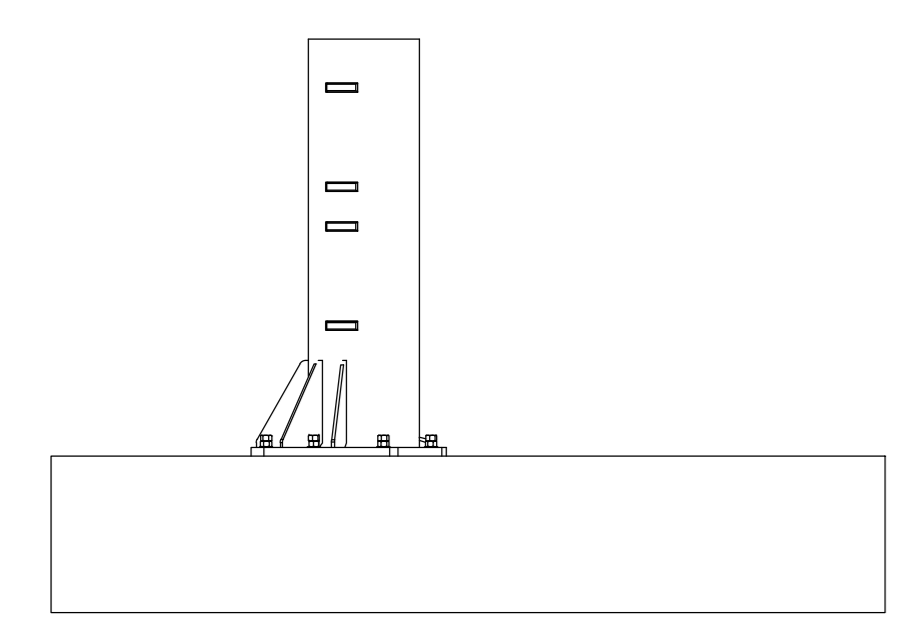


- NOTE:
- FENCE TO BE StrongSlide M30 GATE AS MANUFACTURED BY HYSECURITY OR EQUAL
 - StrongSlide-M30 AT 24 FEET [7315.2 MM], RIGHT HAND ORIENTATION

2 HYSECURITY StrongSlide M30 CANTILEVER GATE
C-264 SCALE: N.T.S.



SECTION A



SECTION B

Discipline Principal, FL License No. 40772

2025-09-15

This item has been digitally signed and sealed by Mitchell Lee Griffin on the date adjacent to the seal. Signature must be verified on any electronic copies.

REVISIONS		
NO.	DATE	DESCRIPTION
1.0	2025-06-20	TECHNICAL SITE PLAN APPLICATION
2.0	2025-09-15	TECHNICAL SITE PLAN - 2ND SUBMISSION

Drawn By: CEW
Approved By: MG
Design Team: Civil

GUMBO
PROJECT ADDRESS:
1035 TOWN CENTER BLVD,
PALM COAST, FL 32164
Project Number: K4018368

TYPICAL CONSTRUCTION DETAILS
Discipline: CIVIL
Scale: NTS
Sheet Size: A0 - 33.1" x 46.8"

Sheet Number: C-264
Current Rev: 2.0
Phase: TECHNICAL SITE PLAN APPLICATION
Model Name: GUMBO-CIVIL
Native File Format: Autodesk Civil 3D 2022